

## Fiber Optic Patchcords/Cables and Pigtails

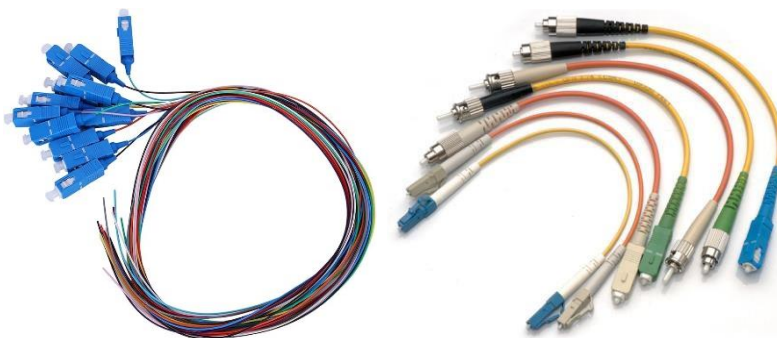
DYSFO's fiber optic patchcords/cables and pigtails are used for connecting the device through different connectors.

### Features

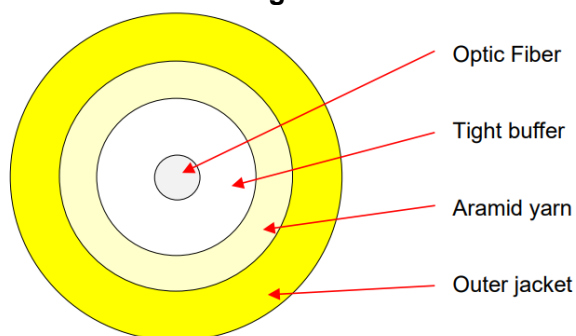
- Low insertion loss
- High return loss
- Good repeatability

### Applications

- Telecommunication networks
- CATV networks
- FTTx project



### Cable structure drawing



- 600 or 900um± 50µm tight buffer fiber, aramid yarn, PVC or LSZH jacket
- Excellent stripping performance of tight buffer fiber
- Suitable for SM fiber and MM fiber (50µm and 62.5µm)

### Specifications

Parameters	Specifications		
	MM	SM	
		UPC	APC
Fiber Type			
Insertion Loss (dB)	≤ 0.3	≤ 0.3	≤ 0.3
Return Loss (dB)	≥ 35	≥ 55	≥ 60
Connector Type	FC/ST/SC/LC		
Fiber Cores	Simplex or duplex		
Outer Jacket	2.0mm, 3.0mm, 0.9mm(pigtails), PVC/LSZH jacket		
Fiber standards	G652D, G657A1/A2, ensure splicing compatibility with G.652D optical fiber with a splice loss ≤ 0.1 dB.		
Cable Length	1m, 3m, 10m, 30m, or customized		
Durability (dB)	ΔIL ≤ 0.2, 500 times plugging		
Attenuation Stability (dB)	≤ 0.1 after 500 mating cycles		
Repeatability (dB)	≤ 0.2		
Tensile Strength (N)	70 (FC/SC/ST) / 50 (LC)		
Temperature Range (°C)	-20 ~ +70		
Humidity	≤ 95% RH		

<b>Mechanical, environmental, and connectivity requirements according to ITU-T L.36/2008.</b>	Vibration resistance (IEC 61300-2-1): complies with ITU-T L.36/2008 (section 9.2.1); Strength of the coupling mechanism (IEC 61300-2-6): complies with ITU-T L.36/2008 (section 9.2.2); Fiber/cable retention (IEC 61300-2-4): complies with ITU-T L.36/2008 (section 9.2.3.1); Change of temperature resistance (IEC 61300-2-22): complies with ITU-T L.36/2008 (section 9.2.6.4).
<b>Patch cord/cable color</b>	SM: Yellow, OM1/OM2: Orange, OM3: Aqua, OM4: Violet, OM5: Lime Green
<b>Pigtails color</b>	The fiber optic pigtail consists of 12 optical fibers, with color coding according to the EIA/TIA-598 standard

Note: The outer jacket of the fiber optic patch cord is printed with the product brand/trademark, the fiber manufacturer, the month and year of production, the outer jacket diameter, the plastic material of the outer jacket, the fiber optic standard, and the fiber type. This information is repeated every meter along the length of the finished patch cord.

**Ordering information:**

Part No.	Product Name	Description
FOC-SM-LSZH-SX-2.0-G652D	Fiber Optic Cable	Patch cable; SM 9/125um, G652D; Simplex; 2mm LSZH jacket
FOC-SM-PVC-0.9-G652D	Fiber Optic Cable	Patch cable; SM 9/125um, G652D; Simplex; 0.9mm PVC jacket
FOP-ASC-1.5M-SMSX-0.9PVC-12C-G652D	Fiber Optic Pigtail	SC/APC; Length: 1.5M SM, G652D; Simplex; 0.9mm PVC jacket, 12 Color/Bundle
FOC-SM-09PVC-1M-12C-G652D	Fiber Optic Cable	Patch cable; Length: 1.0M; SM 9/125um, G652D; Simplex; 0.9mm PVC jacket ; 12 color/bundle

**Note:** For the necessity of improvement, the material contained in this document is subject to change without notice.

Version 20240918